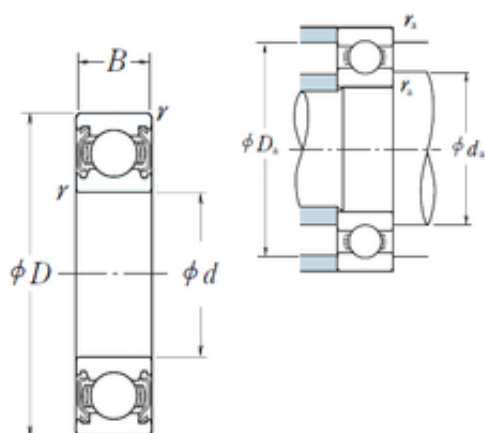




LINEAR BEARINGS CO.,LTD



17 mm x 35 mm x 10 mm NSK 6003ZZ deep groove ball bearings

Bearing No. 6003ZZ

6003ZZ Bearing 2D drawings and 3D CAD models

Size	17x35x10 mm
Bore Diameter	17 mm
Outer Diameter	35 mm
Width	10 mm
d	17 mm
D	35 mm
B	10 mm
C	10 mm
r min.	0,3 mm
da min.	19 mm
da max	21,5 mm
Da max.	33 mm
ra max.	0,3 mm
Weight	0,041 Kg
Basic dynamic load rating (C)	6 kN
Basic static load rating (C0)	3,25 kN
(Grease) Lubrication Speed	22 000 r/min
Category	Single Row Ball Bearings
Inventory	11.0
Manufacturer Name	NSK
Minimum Buy Quantity	N/A
Weight / Kilogram	0.04
Product Group	B00308
Enclosure	2 Metal Shields
Precision Class	ABEC 1 ISO P0



LINEAR BEARINGS CO.,LTD

Maximum Capacity / Filling Slot	No
Rolling Element	Ball Bearing
Snap Ring	No
Internal Special Features	No
Cage Material	Steel
Internal Clearance	C0-Medium
Inch - Metric	Metric
Long Description	17MM Bore; 35MM Outside Diameter; 10MM Outer Race Diameter; 2 Metal Shields; Ball Bearing; ABEC 1 ISO P0; No Filling Slot; No Snap Ring; No Internal Special Features
Category	Single Row Ball Bearing
UNSPSC	31171504
Harmonized Tariff Code	8482.10.50.68
Noun	Bearing
Keyword String	Ball
Manufacturer URL	http://www.nskamericas.com
Manufacturer Item Number	6003ZZ
Weight / LBS	0.039
Outer Race Width	0.394 Inch 10 Millimeter
Bore	0.669 Inch 17 Millimeter
Outside Diameter	1.378 Inch 35 Millimeter
bore diameter:	17 mm
closure type:	Double Shielded
outside diameter:	35 mm
internal clearance:	Normal Clearance
overall width:	10 mm
manufacturer upc number:	029176019814
bore type:	Round
SRI	2.46



LINEAR BEARINGS CO.,LTD

hidYobi	6003ZZ
LangID	1
D_	35
SREX	0.03
B_	10
da min	19
hidTable	ecat_NSRDGB
SRE	2.52
mass	0.041
GRS rpm	22000
ra	0.3
SRIX	0.015
D_a	33
SRIN	-0.015
C0	3.25
fo	14.4
SREN	0
DE_	30.762
Prod_Type3	DGBB_SR_ZZ
DA_	4.762
bomp	0
Z_	10
yobi	6003ZZ
C_conv	6000
ALPHA_	0
SDM_	26
r	0.3
KBRG	6141
SBRG	10
DI_	21.238