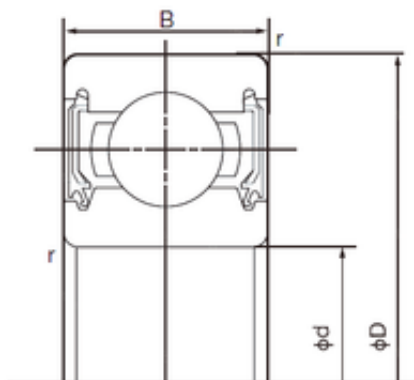




LINEAR BEARINGS CO.,LTD

17 mm x 35 mm x 10 mm NACHI 6003-2NSE9
deep groove ball bearings



Bearing No. 6003-2NSE9

6003-2NSE9 Bearing 2D drawings and 3D CAD models

Size	17x35x10 mm
Bore Diameter	17 mm
Outer Diameter	35 mm
Width	10 mm
d	17 mm
D	35 mm
B	10 mm
C	10 mm
r min.	0.3 mm
Basic dynamic load rating (C)	6 kN
Basic static load rating (C0)	3,25 kN
Category	Ball Bearings
Inventory	0.0
Manufacturer Name	NACHI
Minimum Buy Quantity	N/A
Weight / Kilogram	0.04
Product Group	B00308
Bore Type	Cylindrical Bore
Enclosure	Double Seal
Configuration	Single Row
Weight	0.039 kg
Bore Size	17 mm
Outside Diameter	35 mm
Width	10 mm
Fillet Radius/Chamfer	0.3 mm



LINEAR BEARINGS CO.,LTD

Dynamic Load Rating	6,000 N
Static Load Rating	3,250 N
Limiting Speed - Grease	14,000 rpm
Factor fo	14.3
Radial Clearance	0.003 to 0.018 mm
da (min)	19 mm
Da (max)	33 mm
ra (max)	0.3 mm