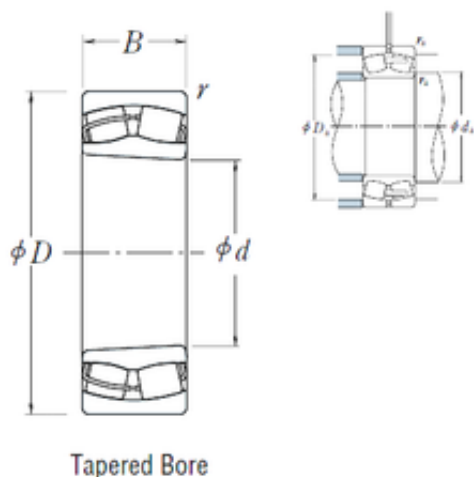




LINEAR BEARINGS CO.,LTD



240 mm x 400 mm x 160 mm NSK
24148CK30E4 spherical roller bearings

Bearing No. 24148CK30E4

24148CK30E4 Bearing 2D drawings and 3D CAD models

Size	240x400x160 mm
Bore Diameter	240 mm
Outer Diameter	400 mm
Width	160 mm
d	240 mm
D	400 mm
B	160 mm
C	160 mm
r min.	4 mm
da min.	258 mm
da max	268 mm
Da min	341 mm
Da max.	382 mm
ra max.	3 mm
Weight	79,5 Kg
Basic dynamic load rating (C)	2130 kN
Basic static load rating (C0)	3800 kN
(Grease) Lubrication Speed	670 r/min
(Oil) Lubrication Speed	850 r/min
Calculation factor (e)	0,38
Calculation factor (Y0)	1,8
Calculation factor (Y2)	2,7
Category	Bearings
Inventory	0.0
Manufacturer Name	NSK



LINEAR BEARINGS CO.,LTD

Minimum Buy Quantity	N/A
Weight / Kilogram	77.798
Product Group	B04311
Y3	1.8
hidYobi	24148CK30E4
LangID	1
Y1	1.8
D_	400
Y2	2.7
Macha rpm	0
B_	160
da min	258
hidTable	ecat_NSSPHR
Oil rpm	850
Y0	1.8
mass	79.5
GRS rpm	670
ra	3
TSR rpm	750
C0	3800
DE_	360.819
X0	1
Prod_Type3	SRB_CTB_TB
X1	1
X2	0.67
SIR	63
e	0.38
DA_	42
bomp	24148CK30E4
Z_	20
ALP2	5
ALP1	14



LINEAR BEARINGS CO.,LTD

ALP3	0
D_a max	382
D_a min	341
yobi	24148CK30E4
ALPHA_	0.246
SDM_	320.081
r	4
KBRG	2322
SBRG	41
DI_	279.344